

Fig. 3850L / 3851L / 4850L / 4851L Semi-Lugged Wafer Pattern Lever Operated Butterfly Valves

FEATURES & BENEFITS

- Universal Pattern - Valves are suitable for use with flanges conforming to BS EN 1092-2 PN16 or ANSI B16.1 Class 125
- Valve generally conforms to BS EN593
- Ductile Iron and Stainless Steel Disc Options
- EPDM and Nitrile Seat Liner Options
- 420 Stainless Steel Shafts for superior strength



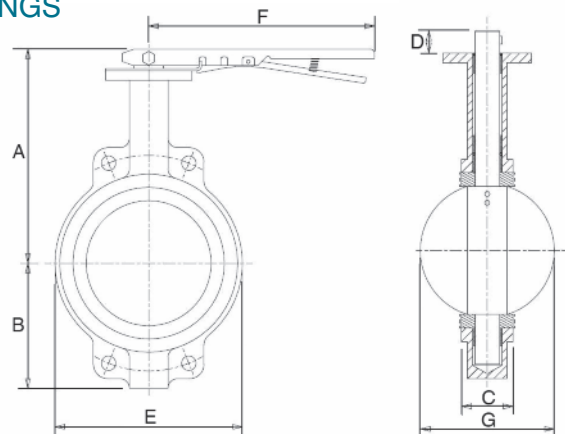
VALVE SELECTION

| | EPDM Liner | Nitrile Liner |
|----------------------|------------|---------------|
| Ductile Iron Disc | 3850L | 3851L |
| Stainless Steel Disc | 4850L | 4851L |

MATERIAL SPECIFICATION

| Part | Material |
|-----------------------|---|
| Body | Ductile Iron (EN-G35-400-15) |
| Disc (3850L & 3851L) | Ductile Iron (EN-G35-400-15) Epoxy coated |
| Disc (4850L & 4851L) | Stainless Steel 304 (ASTM A351 CF8) |
| Liner (3850L & 4850L) | EPDM |
| Liner (3851L & 4851L) | Nitrile Rubber |
| Shaft | Stainless Steel 420 (ASTM A276 420) |
| Taper Pin | Stainless Steel 431 (ASTM A276 431) |
| O-Ring | Nitrile Rubber |
| Bushing | PTFE |
| Lever & Screw | Malleable Iron ASTM Gr.32510 |
| Stop Plate | Mild Steel (GB700 Q235) Chromium Plated |

DIMENSIONAL DRAWINGS



PRESSURE/ TEMPERATURE RATING

PN16 & ANSI Class 125
-10 to 120°C (3850L / 4850L)
-10 to 82°C (3851L / 4851L)

TEST PRESSURES: (Hydrostatic)
SHELL: 24 bar; Seat: 17.6 bar

SPECIFICATION

End connections compatible with
BS EN1092-2 PN16 & ANSI B16.1
Class 125 flanges.

Suitable for Group 2 liquids only as defined by
the Pressure Equipment Directive 97/23/EC.5

END CONNECTION: Semi-Lugged

OPERATOR: Trigger Lever

OTHER: Bare shaft options available
(Fig No. 3850B /3851B /
4850B / 4851B)

Please contact us for bare shaft top
works details.

DIMENSIONS & WEIGHTS

| Nom Size | mm | 50 | 65 | 80 | 100 | 125 | 150 | 200 |
|----------|----|-----|-----|-----|-----|-----|------|------|
| A | mm | 178 | 190 | 200 | 216 | 230 | 243 | 300 |
| B | mm | 61 | 72 | 87 | 106 | 123 | 137 | 174 |
| C | mm | 43 | 46 | 46 | 52 | 56 | 56 | 60 |
| D | mm | 32 | 32 | 32 | 32 | 32 | 32 | 45 |
| E | mm | 92 | 104 | 123 | 156 | 180 | 210 | 264 |
| F | mm | 216 | 216 | 216 | 265 | 265 | 265 | 374 |
| G | mm | 53 | 65 | 79 | 104 | 123 | 156 | 202 |
| Weight | kg | 2.1 | 2.4 | 3.0 | 4.3 | 5.9 | 7.3 | 12.0 |
| Kv | | 91 | 141 | 246 | 585 | 861 | 1838 | 2687 |

Every effort has been made to ensure that the information contained in this publication is accurate at the time of publishing. Hattersley Ltd assumes no responsibility or liability for typographical errors or omissions or for any misinterpretation of the information within the publication and reserves the right to change without notice.

02/15/v4

Fig. 3850G / 3851G / 4850G / 4851G

Semi-Lugged Wafer Pattern Gearbox Operated Butterfly Valves

FEATURES & BENEFITS

- Universal Pattern - Valves are suitable for use with flanges conforming to BS EN 1092-2 PN16 or ANSI B16.1 Class 125
- Valve generally conforms to BS EN593
- Ductile Iron and Stainless Steel Disc Options
- EPDM and Nitrile Seat Liner Options
- 420 Stainless Steel Shafts for superior strength



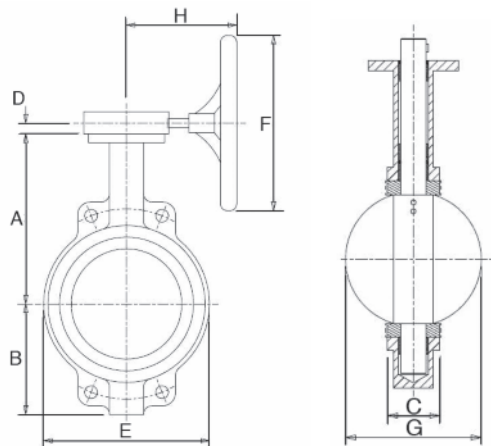
VALVE SELECTION

| | EPDM Liner | Nitrile Liner |
|----------------------|------------|---------------|
| Ductile Iron Disc | 3850G | 3851G |
| Stainless Steel Disc | 4850G | 4851G |

MATERIAL SPECIFICATION

| Part | Material |
|-----------------------|---|
| Body | Ductile Iron (EN-G35-400-15) |
| Disc (3850G & 3851G) | Ductile Iron (EN-G35-400-15) Epoxy coated |
| Disc (4850G & 4851G) | Stainless Steel 304 (ASTM A351 CF8) |
| Liner (3850G & 4850G) | EPDM |
| Liner (3851G & 4851G) | Nitrile Rubber |
| Shaft | Stainless Steel 420 (ASTM A276 420) |
| Taper Pin | Stainless Steel 431 (ASTM A276 431) |
| O-Ring | Nitrile Rubber |
| Bushing | PTFE |

DIMENSIONAL DRAWINGS



PRESSURE/TEMPERATURE RATING

PN16 & ANSI Class 125
-10 to 120°C (3850G / 4850G)
-10 to 82°C (3851G / 4851G)

TEST PRESSURES: (Hydrostatic)
SHELL: 24 bar; Seat: 17.6 bar

SPECIFICATION

End connections compatible with BS EN1092-2 PN16 & ANSI B16.1 Class 125 flanges.

Suitable for Group 2 liquids only as defined by the Pressure Equipment Directive 97/23/EC.5

END CONNECTION: Semi-Lugged
OPERATOR: Gearbox
OTHER: Bare shaft options available (Fig No. 3850B / 3851B / 4850B / 4851B)
Please contact us for bare shaft top works details.

DIMENSIONS & WEIGHTS

| Nom Size | mm | 150 | 200 | 250 | 300 | 350 | 400 | 450 | 500 | 600 |
|----------|----|------|------|------|------|-------|-------|-------|-------|-------|
| A | mm | 204 | 247 | 280 | 324 | 310 | 340 | 375 | 425 | 505 |
| B | mm | 137 | 174 | 209 | 253 | 255 | 318 | 330 | 367 | 443 |
| C | mm | 56 | 60 | 68 | 78 | 78 | 102 | 114 | 127 | 154 |
| D | mm | 36 | 46 | 46 | 46 | 46 | 110 | 110 | 110 | 128 |
| E | mm | 210 | 264 | 319 | 374 | 412 | 482 | 535 | 586 | 698 |
| F | mm | 150 | 300 | 300 | 300 | 300 | 300 | 300 | 300 | 400 |
| G | mm | 156 | 202 | 250 | 302 | 334 | 389 | 441 | 490 | 592 |
| H | mm | 174 | 237 | 237 | 225 | 225 | 254 | 254 | 254 | 301 |
| Weight | kg | 12 | 21 | 28 | 40 | 48 | 90 | 111 | 143 | 223 |
| Kv | | 1838 | 2687 | 4576 | 7069 | 10211 | 14042 | 18598 | 23914 | 36946 |

Every effort has been made to ensure that the information contained in this publication is accurate at the time of publishing. Hattersley Ltd assumes no responsibility or liability for typographical errors or omissions or for any misinterpretation of the information within the publication and reserves the right to change without notice.

02/15/v4