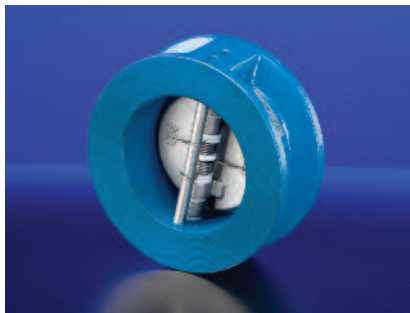


Fig. 860 & 865



FEATURES & BENEFITS

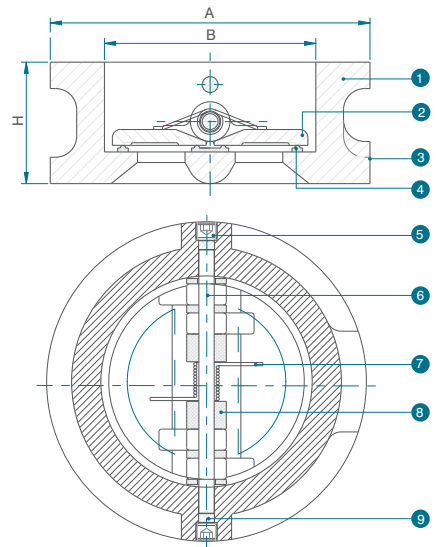
- Double door wafer check valves permit flow in one direction only and close automatically if flow reverses
- They are entirely automatic in action, depending upon pressure and velocity of flow to perform the functions of opening and closing
- Eyebolt tapped holes, to fit eyebolts to BS EN 150 3226: 2010 (eyebolts are not supplied with valve)



MATERIAL SPECIFICATION

No.	Component	Material	Note
1	Body	Cast Iron EN-JL-1040	PN16 / ANSI125 DN50-DN150
		Ductile Iron EN-JGS-500-7	PN16 / ANSI125 DN200-DN600
		Ductile Iron EN-JGS-500-7	PN25 DN50-DN600
2	Disc	Stainless Steel SS304	-
3	ID Plate	Anodised Aluminium	-
4	Seat	EPDM	-
5	Stop Bolt	Stainless Steel 304	-
6	Stem	Stainless Steel 304	-
7	Spring	Stainless Steel 304	-
8	Washer	PTFE	-
9	Gasket	EPDM	-

DIMENSIONAL DRAWING



DIMENSIONS & WEIGHTS

Size	A (mm)		B (mm)	H (mm)	Weight (kg)		Eyebolt Tapping	Kv Valves
	PN16 PN25	ANSI 125			PN16 ANSI 125	PN25		
DN50	107	102	65	43	1.5	1.5	N/A	36
DN65	127	121	80	46	2.1	2.1	N/A	69
DN80	142	133	94	64	3.3	3.2	N/A	123
DN100	162	162	117	64	4.3	4.0	N/A	234
DN125	192	192	145	70	6.3	5.9	N/A	352
DN150	218	218	170	76	8.3	8.1	N/A	599
DN200	273	273	224	89	13.6	13.6	M8	1188
DN250	329	329	265	114	24.2	24.2	M8	2494
DN300	384	384	310	114	31.5	31.5	M10	4044
DN350	446	446	360	127	52.2	52.2	M12	5051
DN400	498	498	410	140	74.0	74.0	M12	5500
DN450	550	546	450	152	101.0	101.0	M12	6715
DN500	610	603	500	152	121.0	121.0	M12	9430
DN600	720	714	624	178	174.0	174.0	M12	15700

Eyebolt tapping to BS EN 3226: 2010
Kv valves: fully open

PRESSURE/TEMPERATURE RATING

Figure 860: PN16 or ANSI 125
Figure 865: PN25 -10 to 120°C

END CONNECTION

Suitable for flange connection to BS EN 1092-2 PN16 / BS EN 1092-2 PN25 / ANSI B16.1 125

SPECIFICATION

Face-to-Face dimensions conform to BS EN 558 series 16.
Suitable for installation in vertical and horizontal pipelines.

When installed in vertical pipelines the flow must be in an upward direction. This valve is suitable for use on group 2 liquids only, as defined by the Pressure Equipment Directive 97/23/EC.

08713_13 Every effort has been made to ensure that the information contained in this publication is accurate at the time of publishing. Hattersley Ltd assumes no responsibility or liability for typographical errors or omissions or for any misinterpretation of the information within the publication and reserves the right to change without notice.